



Adaptability and Enhanced Aiming

When engaging in long-distance shooting, you can also use a 3x scope (optional) for a more precise shooting experience.



Optional 3x Magnifier



Model	BTO-25/1x34D
Detector Specifications	
Thermal Sensor	640x512, 12µm
NETD, mK	≤25
Optical Specifications (IR Channel)	
Objective Lens,	f25/F1.0
Field of View (HxV) , degrees / m at 100m	17.5x14
Recognition Range, m (Target size: 1.7m×0.5m, P(n)=99%)	590
Optical Specifications (Day Channel)	
Magnification, x	1x
Window Size, mm	34x25
Eye Relief, mm	90
Display Specifications	
Display	OLED with high brightness
Color	Green
Battery Power Supply	
Battery	2×CR123A
Max. operating Time (22 C)*, h	Thermal mode max 5h Red dot mode max 120h
Physical Specifications	
Weight (without battery), g	<605g
Dimension, mm	175×63×104



Thermal + Red Dot Fusion Scope BTO-25



Seamless Fusion, Tactical Precision Unleashed

BTO-25/1 x 34D





🔦 All-in-One Day & Night Scope

BTO-25: The All-in-One day & night scope for Every Mission. Elevate your tactical shooting experience with BTO-25:

🔦 Versatile Image Modes for Every Shooting Scenario

BTO-25 offers a unique advantage with its four distinct image modes, catering to a wide range of shooting needs. Whether it's daytime camouflage detection, navigating through dense smoky environments, enhancing target visibility in wooded terrain, or operating in the cover of night with infrared vision, BTO-25's versatile image modes have you covered.



Original



Target Highlight



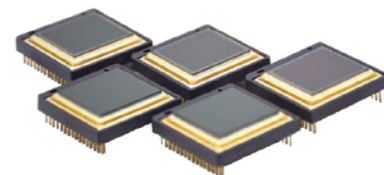
Target Outline in Fog



Target Highlight in Fog

🔦 Unmatched Clarity and Sensitivity

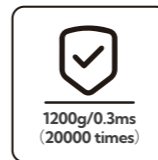
BTO-25 features a state-of-the-art 12µm, 640x512 resolution sensor with NETD≤25mK for exceptional sensitivity. Its advanced multi-layer coating technology minimizes stray light interference, ensuring excellent transparency for daytime use.



🔦 Rugged, Reliable, Ready



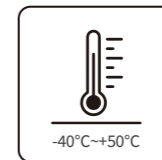
IP67 Waterproof



Impact Resistance
1200g/0.3ms
(20000 times)

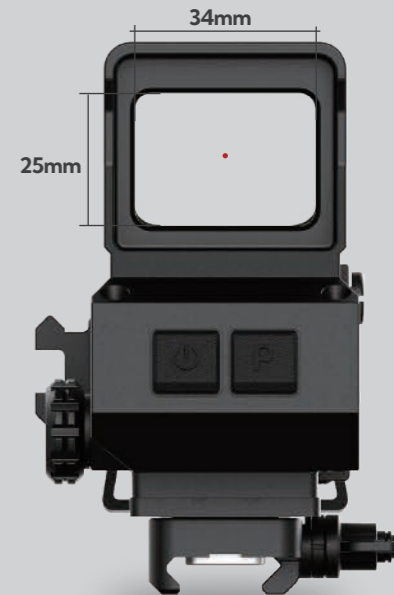


Shock-absorbing Mount



Extreme Temperature Resistant
-40°C~+50°C

1x Magnification



Wide View, Rapid Aim

BTO-25s design includes a generous 34mm x 25mm viewing window and a 1x magnification rate, allowing users to effortlessly spot and track targets with precision.